

FIBREROUTE

FIBRE PROTECTION
FOR HIGH DENSITY DATA CENTRES



✓ **EASY ACCESS**

Enables Moves, Adds & Changes

✓ **END-TO-END PROTECTION**

Cables protected from damage throughout

✓ **ROBUST**

Manufactured from tough plastic

✓ **EASY TO HANDLE**

Lightweight for easy transport and installation

✓ **NO SHARP EDGES**

No danger of damaging cables on cut metal edges

✓ **MANAGED BEND RADII**

Cable bend radius maintained throughout

✓ **COVERS**

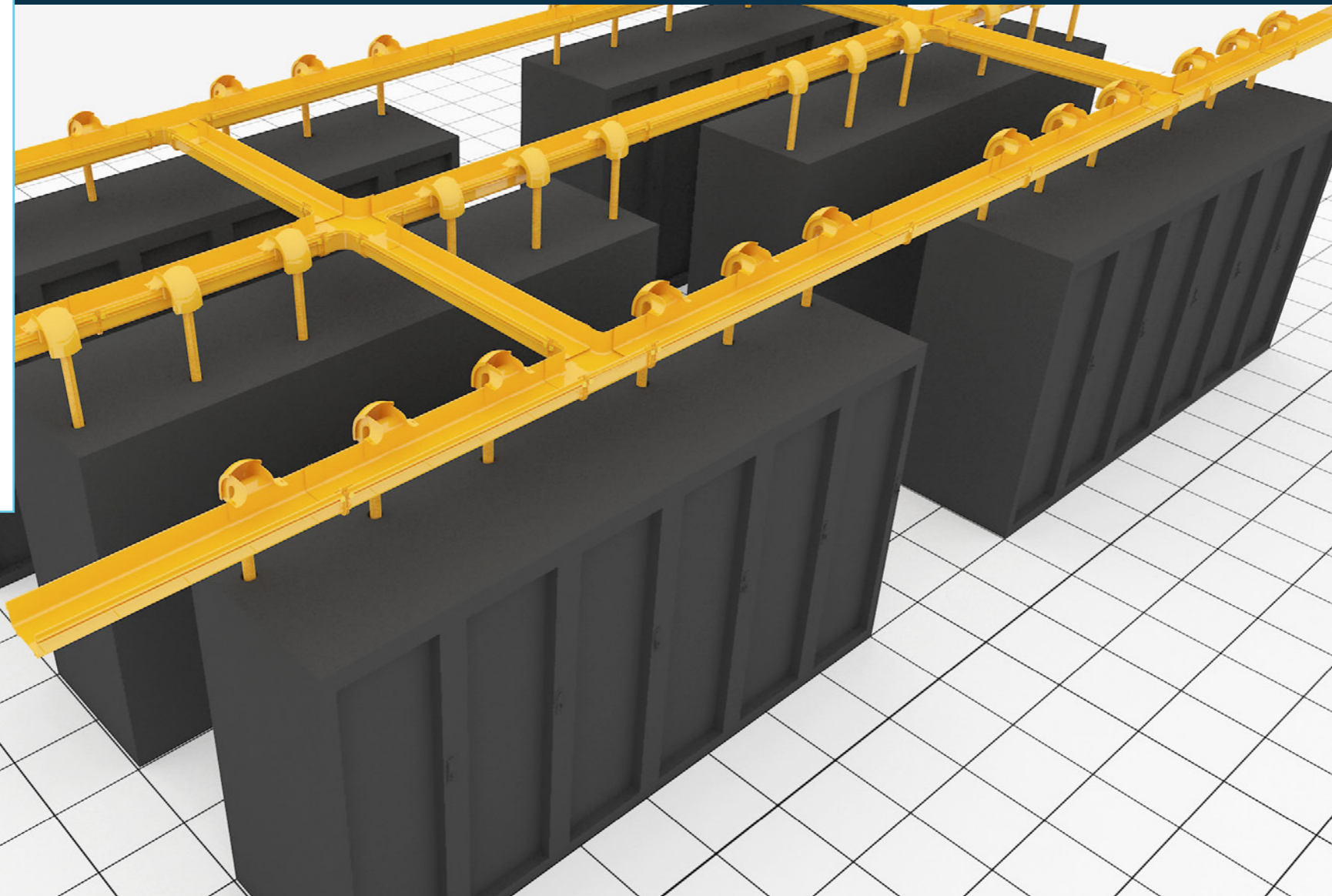
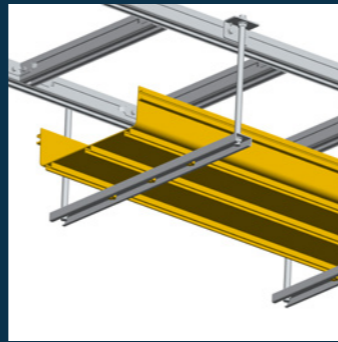
Keep out dirt and dust

✓ **ADAPTORS**

Compatible with other fibre trunking systems

MOUNTING OPTIONS:

Rack or suspended



FIBREROUTE

Dedicated solution for cabling and patching

As data requirements continue to grow exponentially, driven by developments such as the Internet of Things, data centres must realise the highest possible density in the smallest possible space. How to accommodate more cabling and patching without increasing footprint?

Data centre pathway systems are complex and need to support multiple services, which can include cooling services and power in addition to copper and fibre data cabling. Often, obstacles along the path need to be avoided. It is therefore considered best practice, and recommended by both TIA and ISO, that fibre cabling should be routed in dedicated separate pathways, away from other heavier power or copper cable for example.

The fibre cabling in particular is more vulnerable and needs to be protected from potential damage whilst remaining accessible. Even bend-insensitive fibre can end up with snags or kinks where large volumes of cables are used. Exceeded bend radii or localised stresses on cables and bundles may result in optical signal losses – or downtime. Excess cable needs to be stored safely, too. Often overlooked during planning stages, this can introduce problems later on.

In short: correct infrastructure management is essential to prevent damage, improve access, ensure reliability, and reduce cost of ownership.

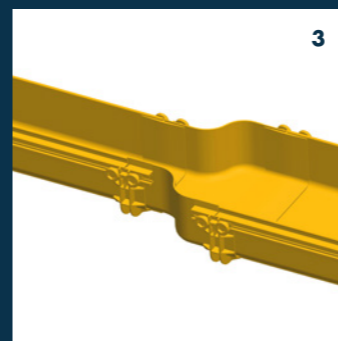
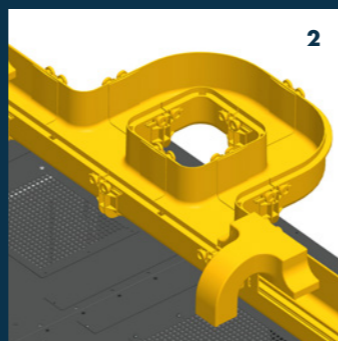
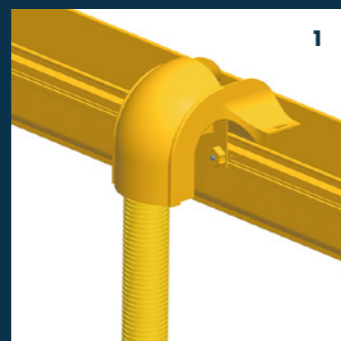
Unique modular trunking system

FIBREROUTE provides a dedicated, rigid fibre optic pathway. It protects cables and links and helps maintain high-speed transmission. Adaptors which connect channels and fittings control the bend radius of fibre cables and MPO trunks. Moves, Adds & Changes are easy, as fibre cables are separated from larger horizontal copper bundles. Expansion and interconnection with channels of different sizes can also be executed quickly.

FIBREROUTE is supplied in 120 mm or 240 mm widths – larger than the 100 mm systems offered elsewhere. This increases capacity, allowing addition of two extra cabinets per row in high-density environments. All parts join using toolless fasteners. Fixing and supporting devices are available for wall mounting, ceiling hanging and rack mounting.

FEATURES:

- 1 Waterfalls and vertical T joints for safe rack transitions
- 2 Practical overlength storage and management
- 3 Easy to connect different systems and sizes



PART NUMBERS

120 SYSTEM

N350.120FC00P	FIBREROUTE 120mm Channel
N350.120FA01A	FIBREROUTE 120mm Elbow
N350.120FA02A	FIBREROUTE 120mm Equal Tee
N350.120FA03A	FIBREROUTE 120mm Equal Cross
N350.120FA11A	FIBREROUTE 120mm Elbow Cover
N350.120FA12A	FIBREROUTE 120mm Equal Tee Cover
N350.120FA13A	FIBREROUTE 120mm Equal Cross Cover
N350.120FA21A	FIBREROUTE 120mm 45° Vertical Internal Bend
N350.120FA22A	FIBREROUTE 120mm 45° Vertical External Bend
N350.120FA31A	FIBREROUTE 120mm 45° Vertical Internal Bend Cover
N350.120FA32A	FIBREROUTE 120mm 45° Vertical External Bend Cover
N350.120FC01A	FIBREROUTE 120mm In-line Connector
N350.120FC02A	FIBREROUTE 120mm Trumpet
N350.120FC03A	FIBREROUTE 120mm End-cap
N350.120FC10P	FIBREROUTE 120mm Channel Cover

240 SYSTEM

N350.240FA01A	FIBREROUTE 240mm Elbow
N350.240FA02A	FIBREROUTE 240mm Equal Tee
N350.240FA03A	FIBREROUTE 240mm Equal Cross
N350.240FA11A	FIBREROUTE 240mm Elbow Cover
N350.240FA12A	FIBREROUTE 240mm Equal Tee Cover
N350.240FA13A	FIBREROUTE 240mm Equal Cross Cover
N350.240FA21A	FIBREROUTE 240mm 45° Vertical Internal Bend
N350.240FA22A	FIBREROUTE 240mm 45° Vertical External Bend
N350.240FA31A	FIBREROUTE 240mm 45° Vertical Internal Bend Cover
N350.240FA32A	FIBREROUTE 240mm 45° Vertical External Bend Cover
N350.240FC00P	FIBREROUTE 240mm Channel
N350.240FC01A	FIBREROUTE 240mm In-line Connector
N350.240FC03A	FIBREROUTE 240mm End-cap
N350.240FC10P	FIBREROUTE 240mm Channel Cover

REDUCERS AND ADAPTERS

N350.003SD01A	FIBREROUTE Waterfall Assembly 90mm
N350.003SD02A	FIBREROUTE Waterfall Assembly 130mm
N350.003SD10A	FIBREROUTE Waterfall Flexible tube, 50mm, 0.8M
N350.240FT01A	FIBREROUTE 240mm-120mm Reducer
N350.240FT11A	FIBREROUTE 240mm-120mm Reducer Cover
N350.240FT21A	FIBREROUTE 240mm-120mm Vertical Unequal Tee
N350.240FT31A	FIBREROUTE 240mm-120mm Vertical Unequal Tee Cover
N350.240FT41A	FIBREROUTE 240mm-120mm Tee reducer
N350.240FT51A	FIBREROUTE 240mm-120mm Tee reducer Cover
N350.240FT61A	FIBREROUTE 240mm-120mm Unequal Cross
N350.240FT71A	FIBREROUTE 240mm-120mm Unequal Cross Cover
N350.240FA04A	FIBREROUTE 240mm Universal Transition
N350.120FA04A	FIBREROUTE 120mm Universal Transition

MOUNTING HARDWARE & ACCESSORIES

N350.003SMC1	FIBREROUTE 120mm Cable Tray Mounting Kit
N350.003SMC2	FIBREROUTE 240mm Cable Tray Mounting Kit
N350.003SMR1	FIBREROUTE 120mm Cabinet/Rack Mounting Kit
N350.003SMR2	FIBREROUTE 240mm Cabinet/Rack Mounting Kit
N350.003SMT1	FIBREROUTE 120mm Trapeze Mounting Kit
N350.003SMT2	FIBREROUTE 240mm Trapeze Mounting Kit
N350.003SS00S	FIBREROUTE Screw Kit T Type x100
N350.003SS01S	FIBREROUTE Screw Kit Round Type x100

WOULD YOU LIKE TO KNOW MORE?
 Select your country at www.nexans.com/LANsystems
 and visit the **Data Centre** pages